



**SPIERINGS
KRANEN**

Mark: **SPIERINGS** Typ: **SK345-AT3**

Crane identification

Serial number:

Year of construction: _____

Crane group : 3 as per NEN 2018
 Loadspectrum : 2 as per NEN 2018
 Classification : A as per NEN 2018
 Stability : as per NEN 2022

Identification-
number
41 tm

Max. load
5,0 tonne

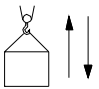
Max.radius
with max. load
9,3 m

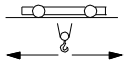
Max. capacity
46,5 tm

Max. jib lenght
30,4 m

Speeds

Jib horizontal / jib 30° luffed

	m/min	kg
	11	5000
	18	2500
	35	1700
	50	0



0 - 40 m/min



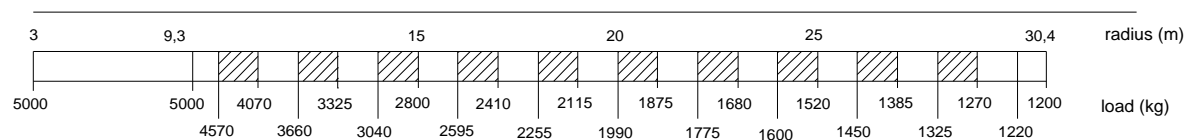
0 - 0,9 rpm

All motions with hydraulic proportional controls
 Luffing the Jib 30° can be controlled from crane cab or via remote control
 Driving with erected tower and jib, only with the jib horizontal and positioned over the front carriage, platform locked to the carrier and the outriggers fully extended (max. inclination 2°)
 Rated lifting capacity is net capacity
 Crane equipped with full counterweight: 7080 kg
 360° continuous slewing, with outriggers out and down
 2 Outriggers positions: 6,90 x 5,40 m
 6,90 x 3,80 m
 Operation allowed up to a windforce of 8 on the Beaufortscale. (wind speed 20 m/sec.)
 Sail area of the load max. 1,0 m²/tonne at a windforce of 8 on the Beaufortscale.
 Operating temperature range from -15° to 40° C.
 In all cases 2 parts of line
 Max. line pull force 2500 kg
 The crane should be folded in at a windforce >9 (21m/sec) or when not in use for a longer period

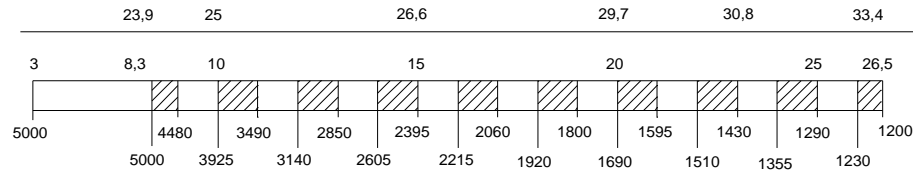
LIFTING CHART Outrigger spread 6,90 m x 5,40 m

Jib horizontal

Hookheight 19 m (height under jib 20.8 m)



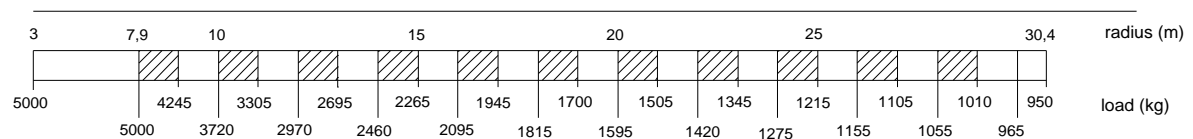
Jib offset +30°

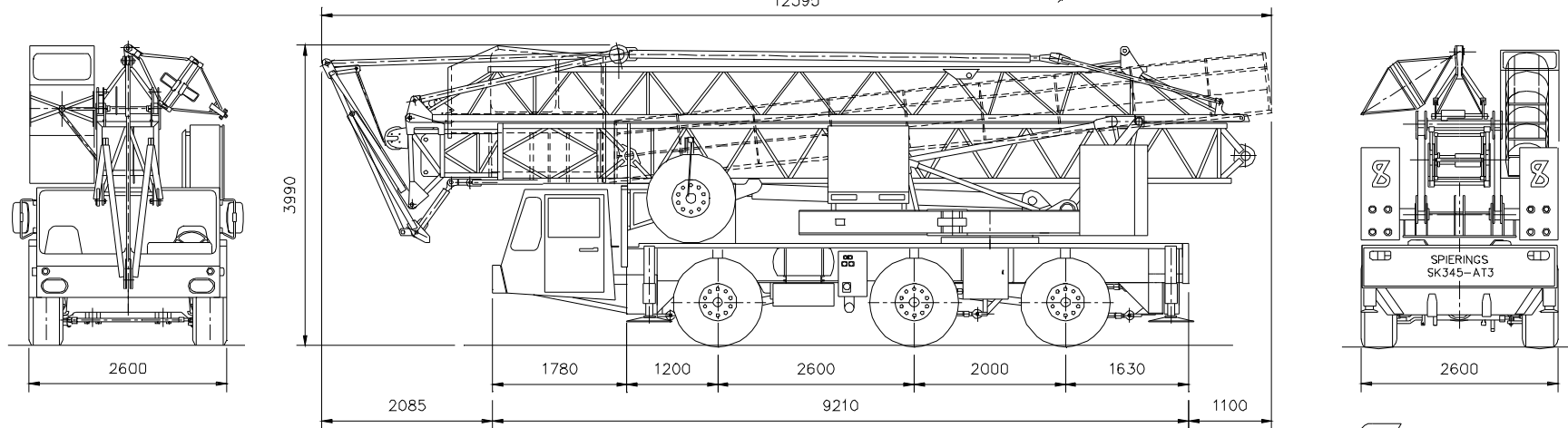
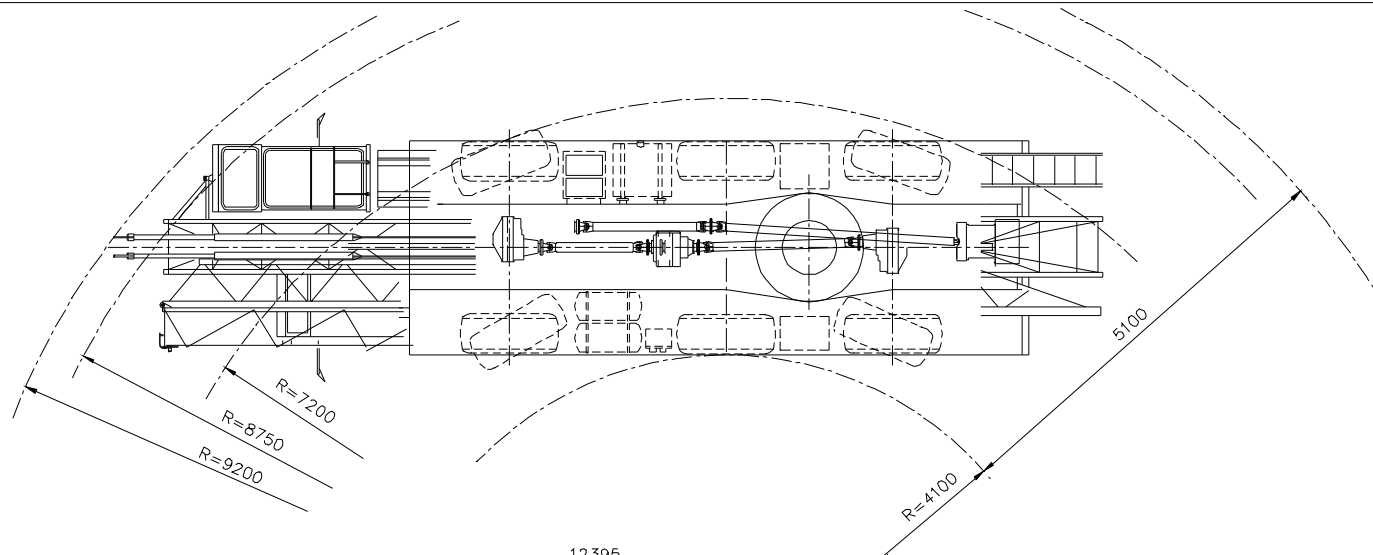


LIFTING CHART Outrigger spread 6,90 m x 3,20 m

Jib horizontal

hookheight 19 m (height under jib 20.8 m)





**SPIERINGS HYDRAULIC FOLDING CRANE
SK345-AT3**

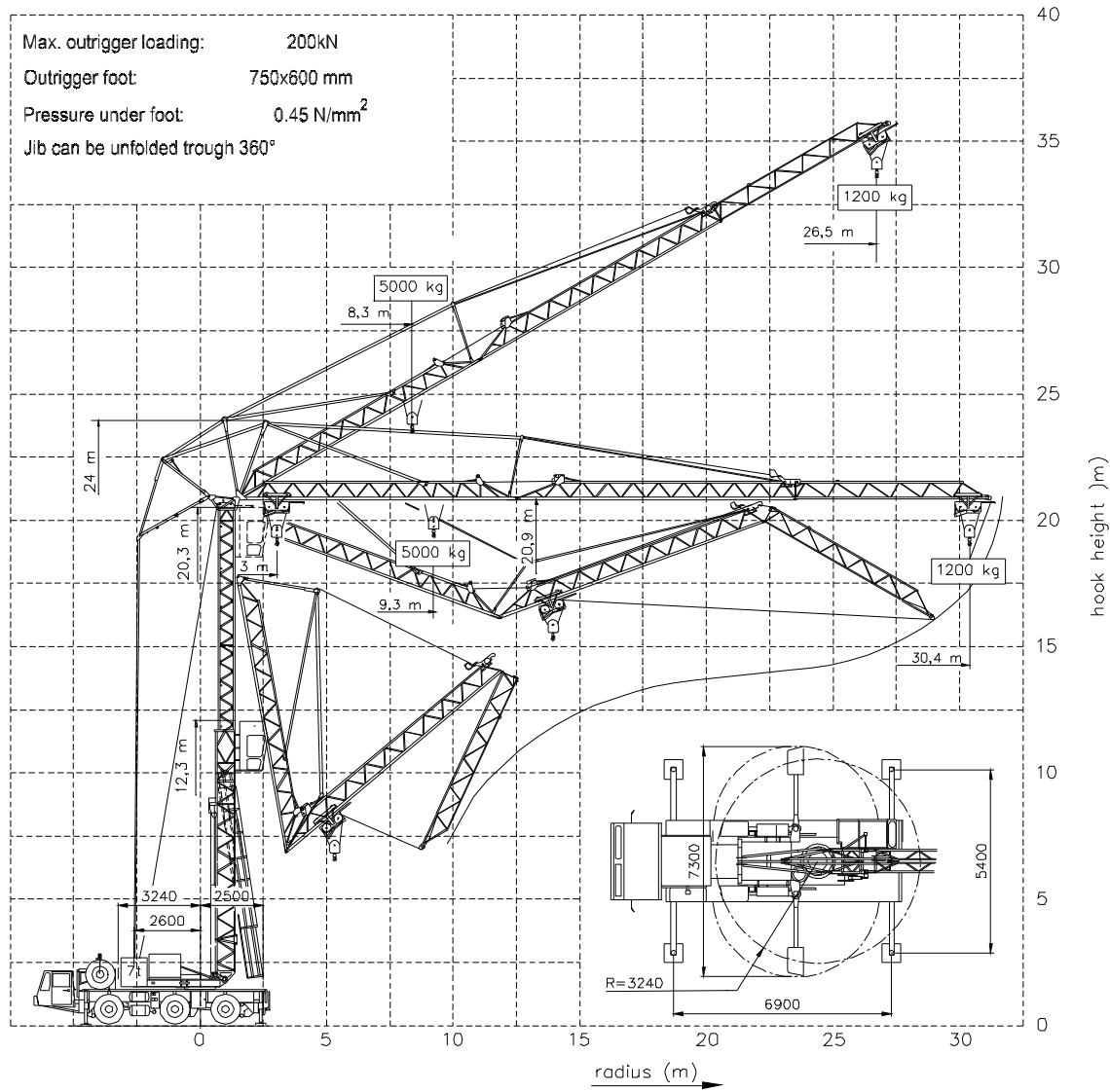
Total weight: 36000 kg



**SPIERINGS
KRANEN**

Merwedestraat 15
5347 KZ Oss NL
Tel. 0412-626964
Fax 0412-645299

Max. outrigger loading: 200kN
 Outrigger foot: 750x600 mm
 Pressure under foot: 0.45 N/mm²
 Jib can be unfolded trough 360°

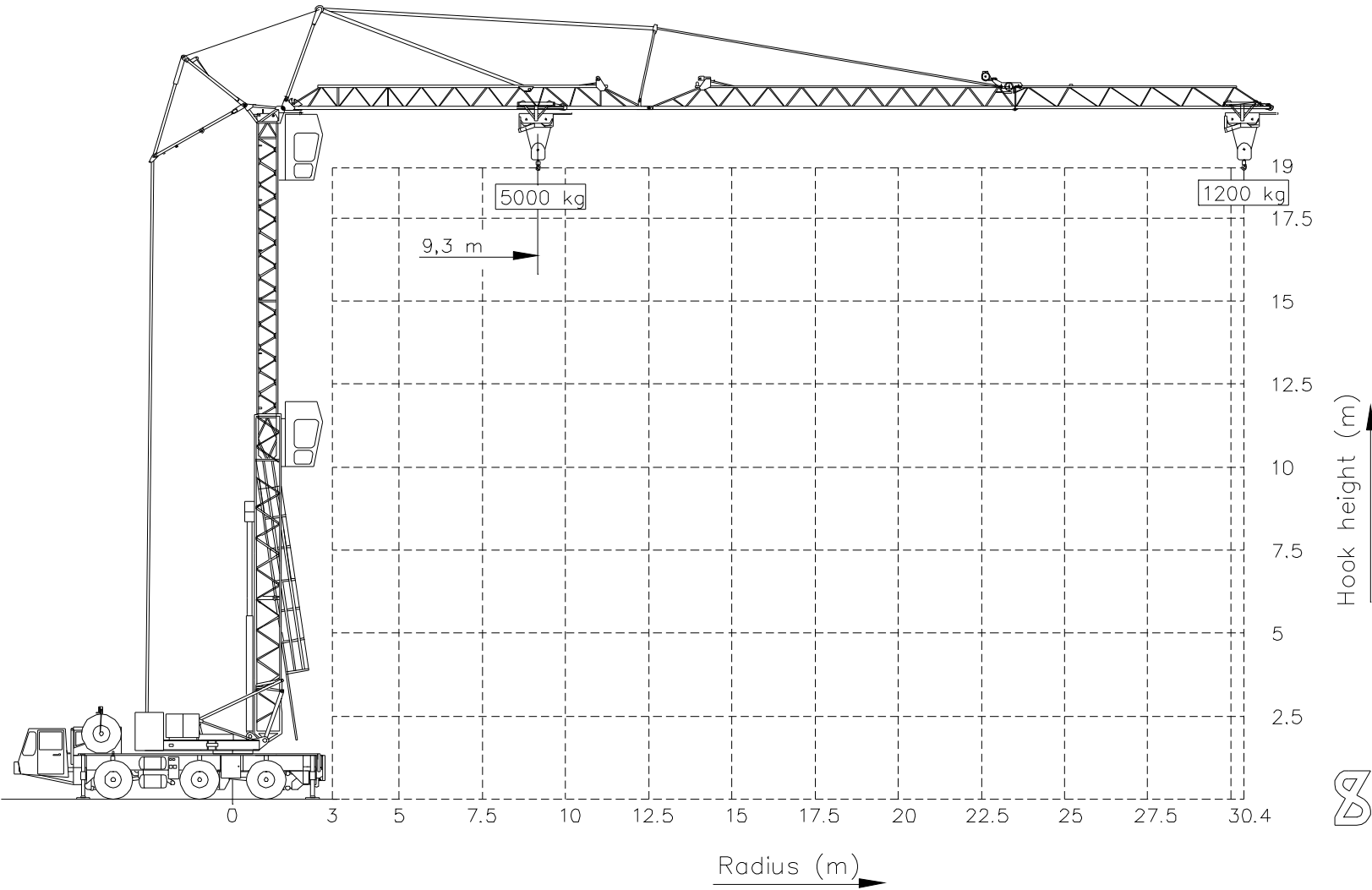


SPIERINGS HYDRAULIC FOLDING CRANE SK 345 - AT3

**SPIERINGS
 KRANEN**
 Merwedestraat 15
 5347 KZ Oss NL
 Tel. 0412-626964
 Fax 0412-645299

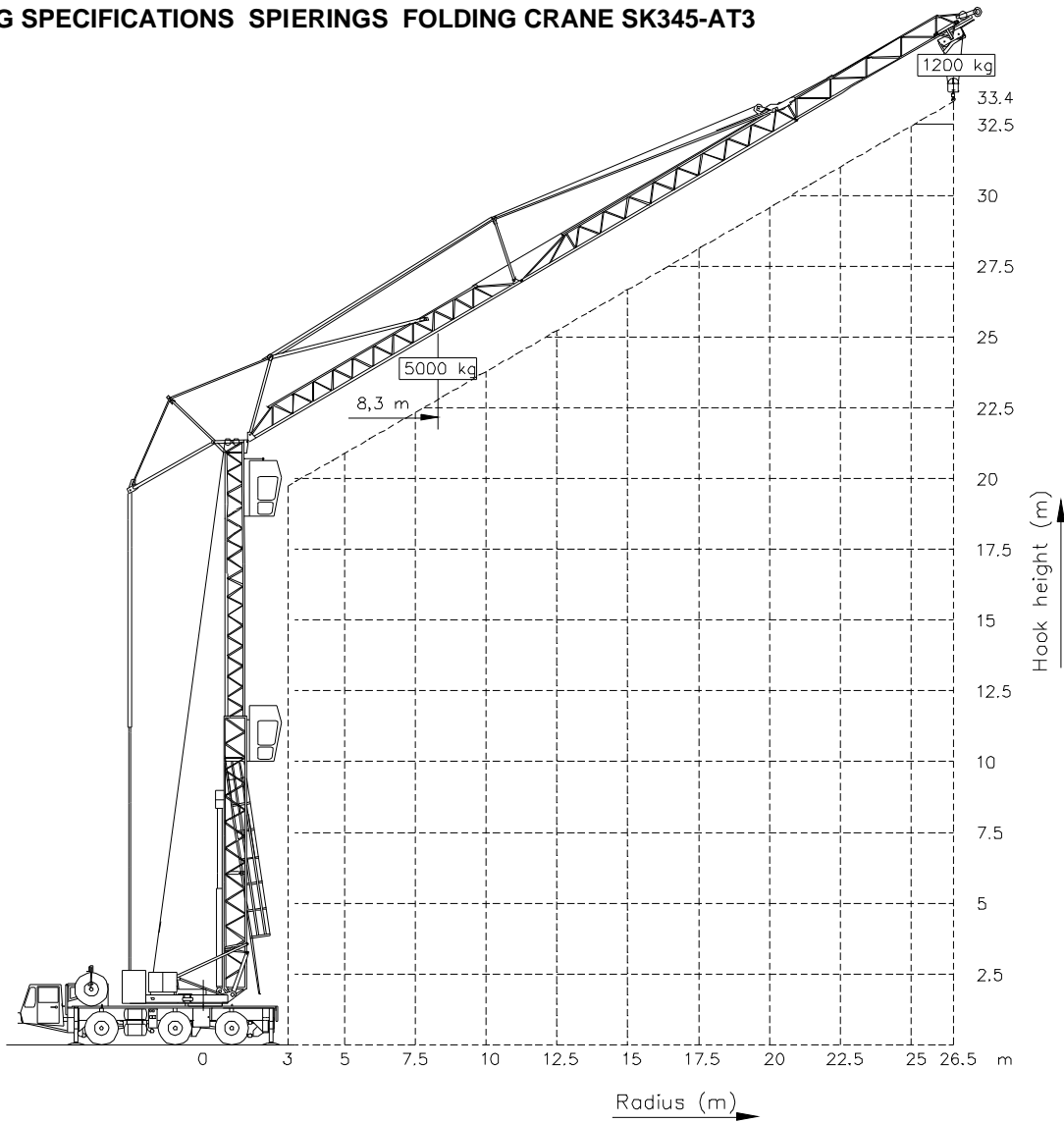
Changes subject to modifications

HOISTING SPECIFICATIONS SPIERINGS FOLDING CRANE SK345-AT3



**SPIERINGS
KRANEN**
Merwedestraat 15
5347 KZ Oss NL
Tel. 0412-626964
Fax 0412-645299

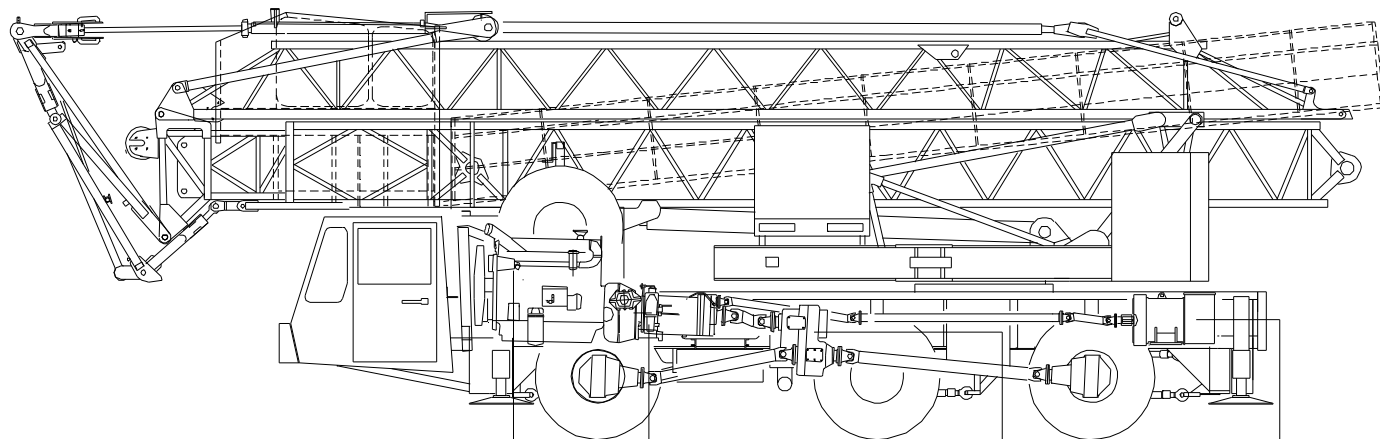
HOISTING SPECIFICATIONS SPIERINGS FOLDING CRANE SK345-AT3



**SPIERINGS
KRANEN**

Merwedestraat 15
5347 KZ Oss NL
Tel. 0412-626964
Fax 0412-645299

Drive train SPIERINGS SK345-AT3



Engine:
DAF DHS 825 L (8,25 ltr.)
Power: 195 Kw (2400 rpm)
Torque: 932 Nm (1500 rpm)

Axle 1

Gear box ZF S6-90
Manually operated with air power ass.
+ dry plate clutch

Axle 2

Transfer case:
STEYR VG1600/300
Road gear $i=1,0,89$
Off-road gear $i=1,54$

Axle 3

Generator;
LSA 44.1M3 - 75kVA

Axles 1 and 3 : O&K (/FAUN) axles with differential and end reduction

Axle 2 : O&K (/FAUN) axle, not driven

Suspension: hydro-pneumatic on all axles, stroke ram 160 mm

Max. speed carrier : 80 km/h

Min speed carrier (diesel engine 1000 rpm) : 1,7 km/h

SPIERINGS FOLDING CRANE Type SK345-AT3



Merwedestraat 15
5347 KZ Oss NL
Tel. 0412-626964
Fax 0412-645299

subject to modifications